

A

B

C

D

E

F

A

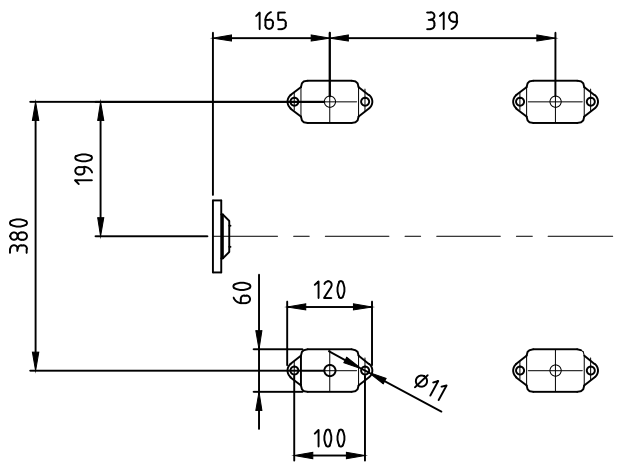
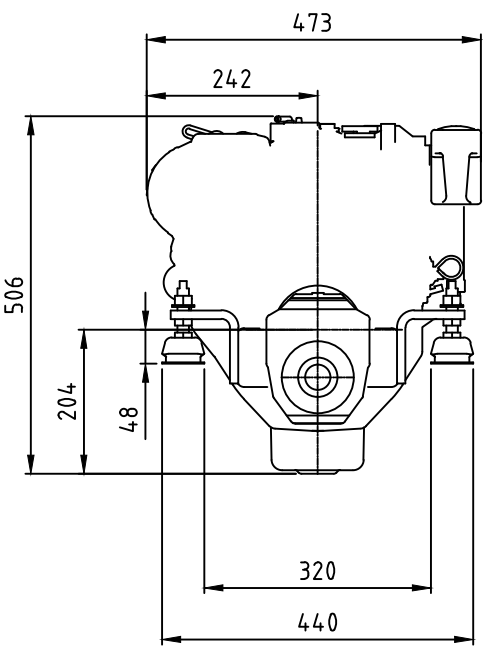
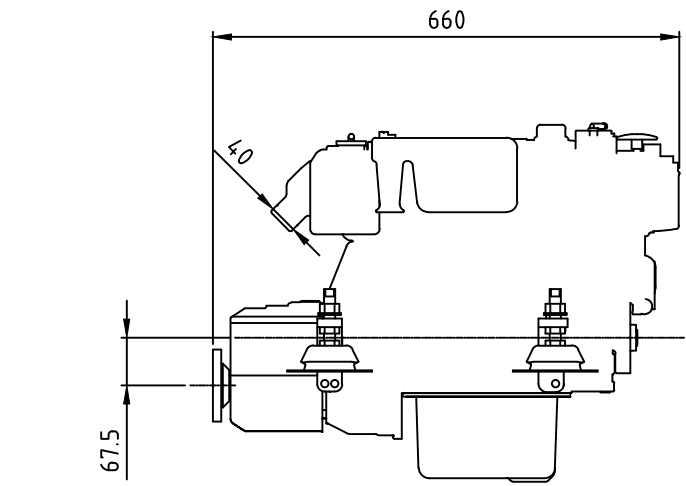
B

C

D

E

F



NOGVA		Surface		Scale	1:7.5	Position	-	Quantity	-	
				-						
		Date	06.03.2009	Name	HIR					
		Drawn	Nanni N3.21							
		Checked	TMC-40							
		Standard								
				3-4655					Page	-
									Pg	-
State	Changes	Date	Name	Filename	3-4655.dwg					

1

2

3

4

5

6

7

8

1

2

3

6

7

8