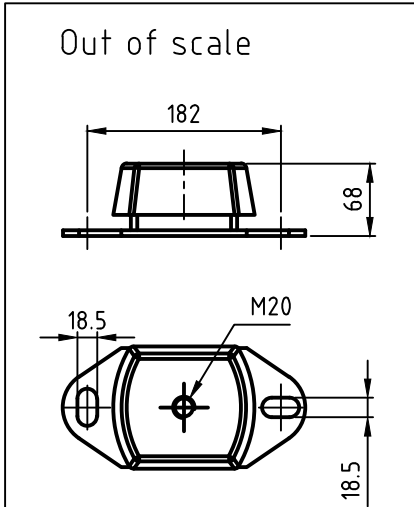


Engine weight (dry): 812 kg



NOGVA

Surface	Scale 1:10	Position -	Quantity -
Date		Name	
Drawn	14.06.2011	HIR	
Checked			
Standard			
John Deere 6068 AFM75 (KC)			Page -
Propulsion			Pg -
T91-05045			

Connection points		
Item	Name	
4	Fuel outlet	
3	Fuel inlet	
2	Coolant Outlet	Ø51
1	Coolant inlet	Ø51

State	Changes	Date	Name	Filename	T91-05045
-------	---------	------	------	----------	-----------