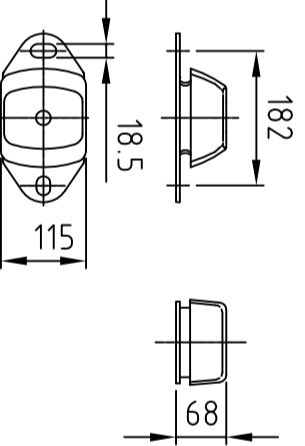


Engine weight (dry) : 730kg

Vibration isolator



Connection points

Item	Name	Position	Quantity
7	Engine heater		
6	Fuel inlet	Ø8 inner dia	
5	Fuel return	Ø8 inner dia	
4	Seawater outlet	Ø38	
3	Seawater inlet	Ø32	
2	Cabin heater Return		
1	Cabin heater outlet		

NOGVA

Date	Name
Drawn 20.01.2012	HIR
Checked	
Standard	

John Deere 6068 TFM50 (HE)
Heat exchanger

State	Changes	Date	Name	Filename	Page
02	Crankshaft damper	04.12.13	HIR		
01	rev	20.01.12	HIR		
				T91-05167	

T91-05167